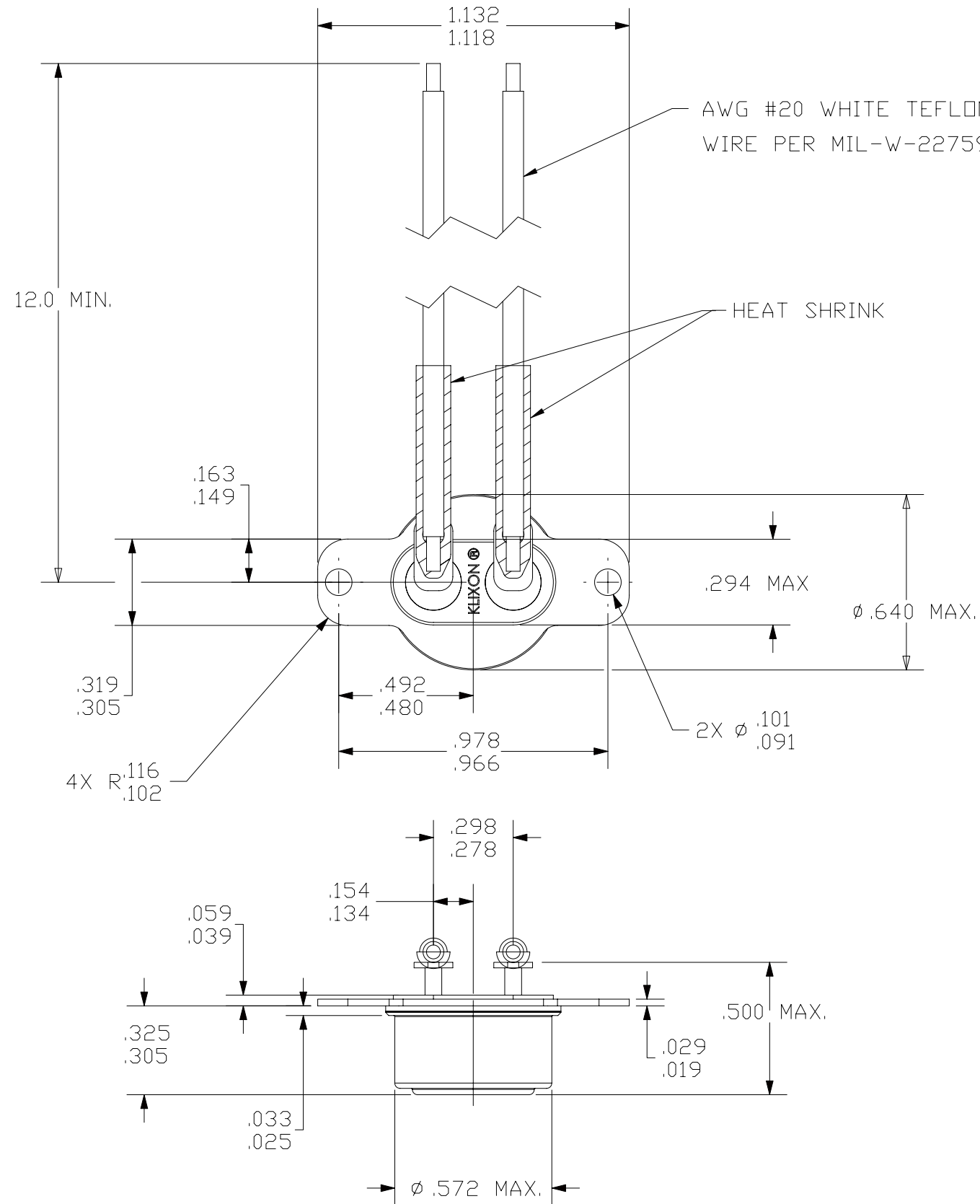


ZONE	REV.	REVISION DESCRIPTION	ECN NO.	DATE
D3	B	WIRE NOTE WAS "LEAD TO CONFORM TO MIL-W-22759/7 WELD TO SPECIFICATION 75580"; GML	ECN0036471	19-JUL-2007



OPERATING TEMPERATURE:

OPEN: 218°F±8°F


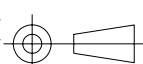
CLOSE: 248°F±6°F

FINISH: COPPER NICKEL PLATE

DIELECTRIC STRENGTH

TERMINAL TO CASE: 1250 VOLTS, RMS, 60 CYCLES FOR 1 MINUTE

CONTACT MATERIAL: SILVER

FOR REFERENCE ONLY, CHECK LATEST REVISION BEFORE USE. PARTS MADE TO THIS PRINT MUST CONFORM TO E9898 REV. E		 529 PLEASANT STREET P.O. BOX 2964 ATTLEBORO, MA 02703
DRAWN PD DATE 26-APR-2007	SENSATA TECHNOLOGIES PROPRIETARY AND CONFIDENTIAL. NEITHER THIS PRINT NOR THE INFORMATION CONTAINED HEREON IS TO BE USED AGAINST THE INTERESTS OF SENSATA TECHNOLOGIES OR AGAINST THE INTERESTS OF ANY OF ITS AFFILIATED COMPANIES OR WHOLLY OWNED SUBSIDIARIES.	
ENGINEER S.MARQUIS DATE 26-APR-2007	UNLESS OTHERWISE SPECIFIED DIMENSIONS ARE IN INCHES TOLERANCES DECIMALS ANGLES	TITLE
APPROVED D.PETRIE DATE 26-APR-2007	DO NOT SCALE DRAWING THIRD ANGLE PROJECTION 	THERMOSTAT SPST AUTO RESET SEALED ENVELOPE DRAWING
APPROVED P.BERG DATE 26-APR-2007		SIZE DWG NO. REV. B 11041-256-1 B
		SCALE 2:1 AUTOCAD SHEET 1 OF 1

4

3

2

DEVICE:11041

PROJECT:256A

1