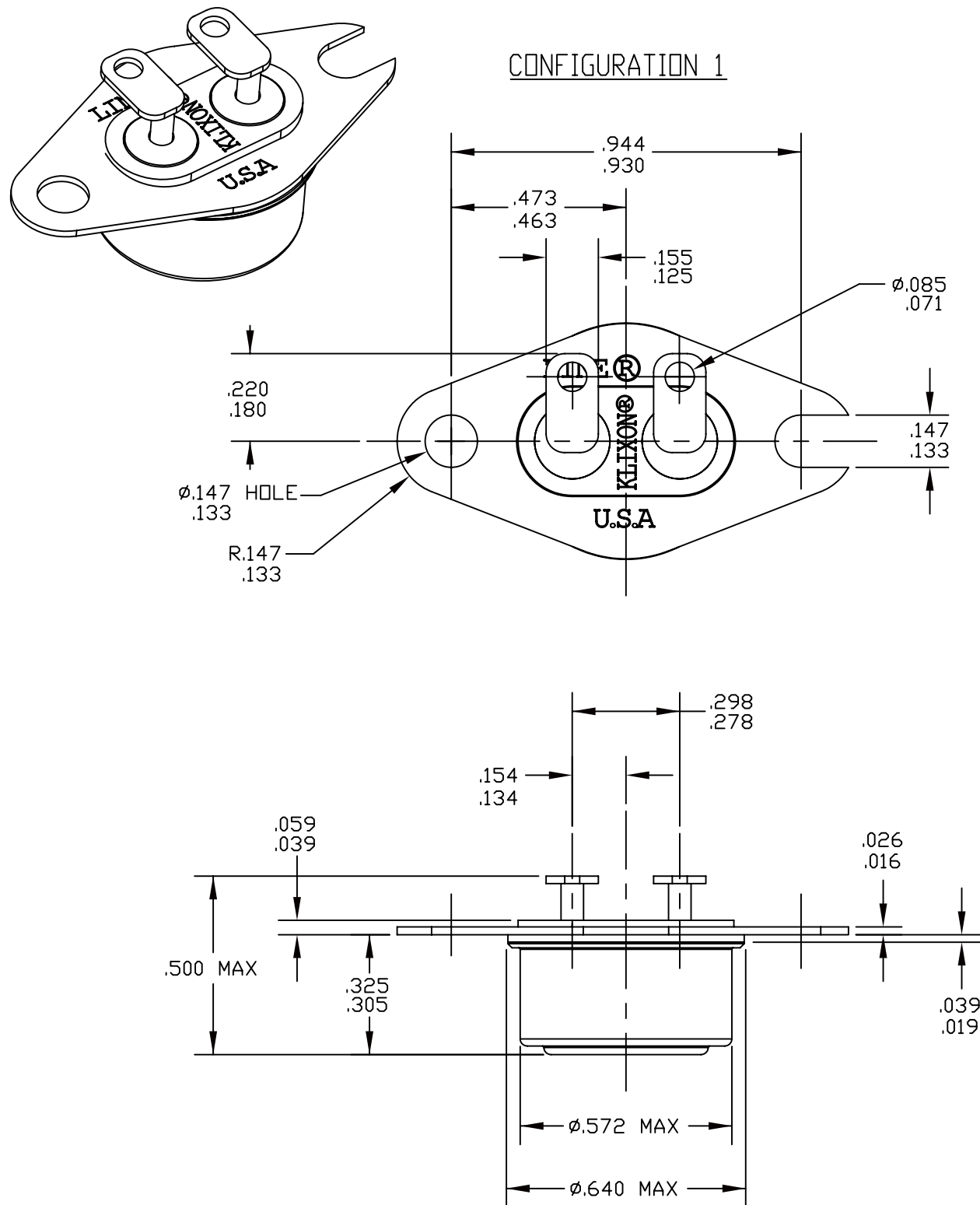
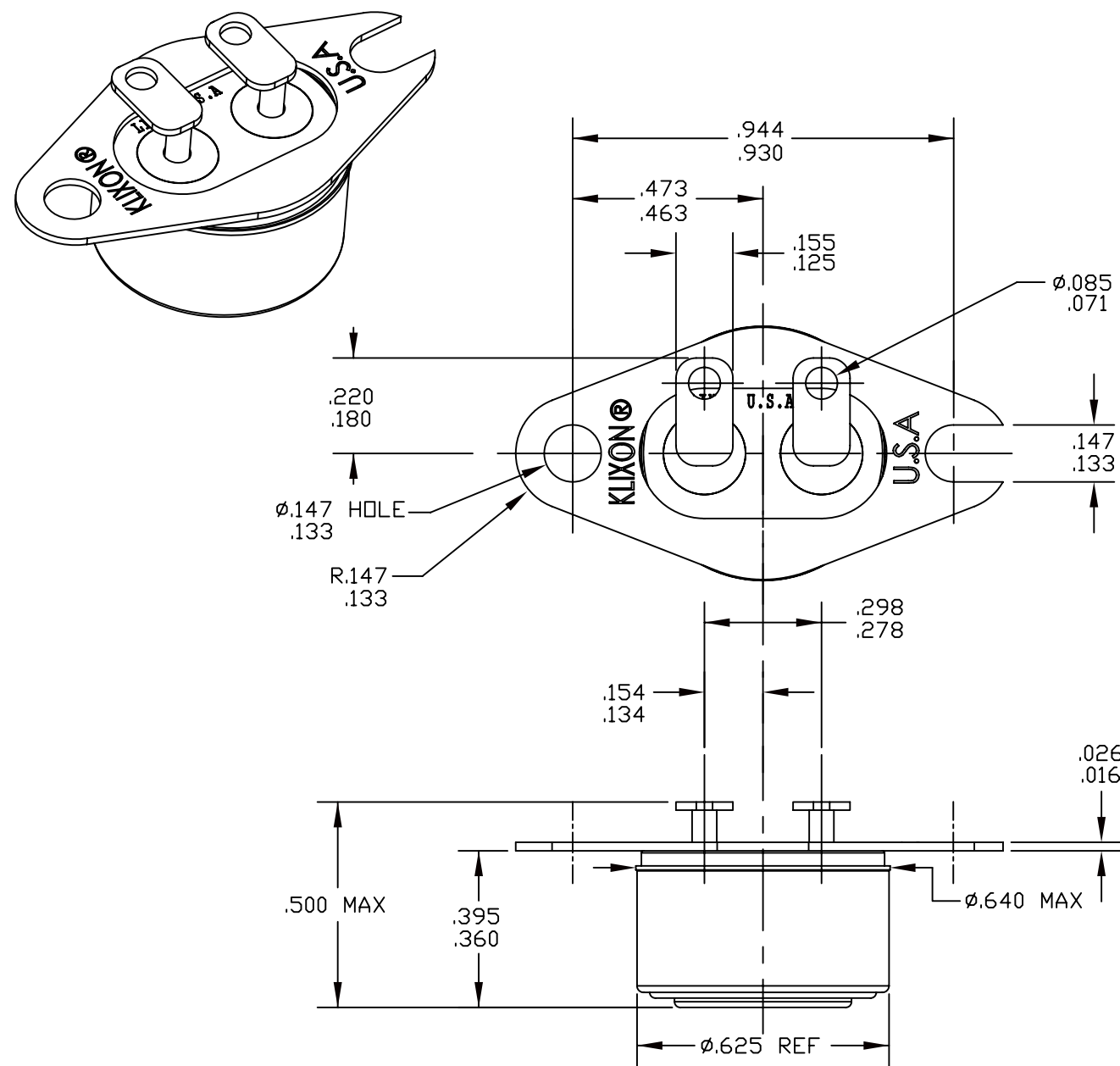


ZONE	REV.	REVISION DESCRIPTION	ECN NO.	DATE
	C	UPDATED BRACKETS; GML	ECN0031608	13-OCT-2006

CONFIGURATION 1



CONFIGURATION 2



MATERIAL:
 CONFIGURATION 1: COPPER-NICKEL PLATED CARBON STEEL
 CONFIGURATION 2: UNPLATED 304L STAINLESS STEEL

DIELECTRIC STRENGTH:
 TERMINAL TO CASE, 1250VAC, FOR 1 MINUTE

FOR REFERENCE ONLY, CHECK LATEST REVISION BEFORE USE.
 PARTS MADE TO THIS PRINT MUST CONFORM TO E9898 REV. E

DRAWN
 PAF
 DATE 06-SEP-2006

ENGINEER
 S. MARQUIS
 DATE 06-SEP-2006

APPROVED
 D. PETRIE
 DATE 06-SEP-2006

APPROVED
 P. BERG
 DATE 06-SEP-2006

NEITHER THIS PRINT NOR THE INFORMATION
 CONTAINED HEREON IS TO BE USED AGAINST THE
 INTERESTS OF SENSATA TECHNOLOGIES, INC. OR
 AGAINST THE INTERESTS OF ANY OF ITS AFFILIATED
 COMPANIES OR WHOLLY OWNED SUBSIDIARIES

UNLESS OTHERWISE SPECIFIED
 DIMENSIONS ARE IN INCHES
 TOLERANCES
 DECIMALS ANGLES

THIRD ANGLE
 PROJECTION

SIZE
 B

Sensata Technologies
 529 PLEASANT STREET
 P.O. BOX 2964
 ATTLEBORO, MA 02703

TITLE
 THERMOSTAT SPST
 AUTO RESET SEALED
 ENVELOPE DRAWING

DWG NO.
4344-221

REV.
 C

SCALE 2:1 | AUTOCAD | SHEET 1 OF 1

DEVICE: 4344 | PROJECT: 256A