

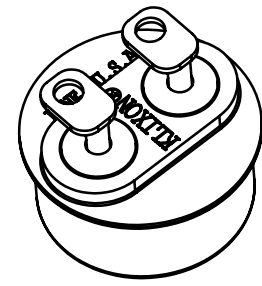
4

3

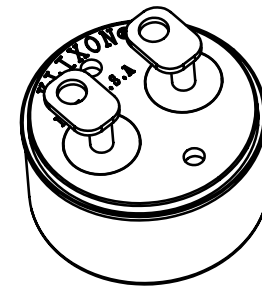
2

1

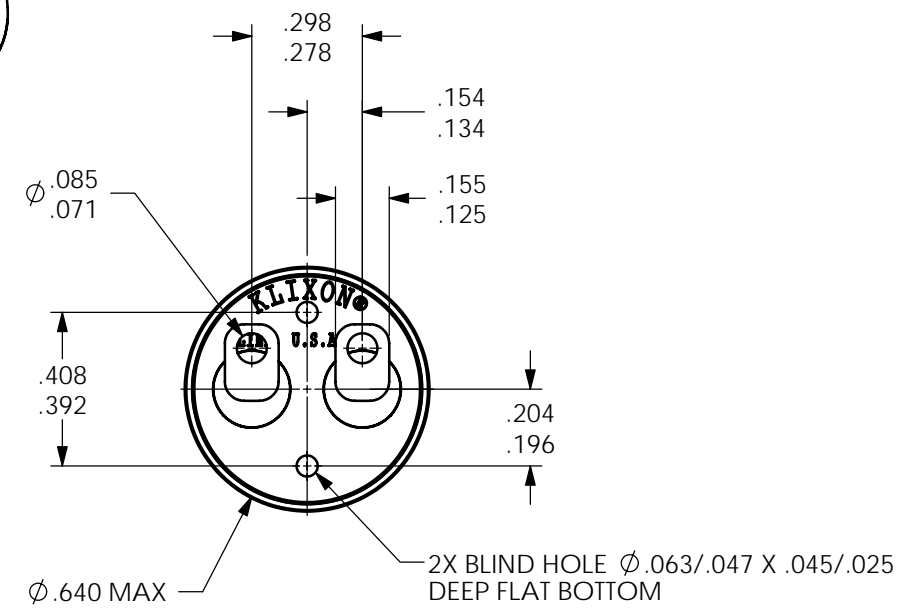
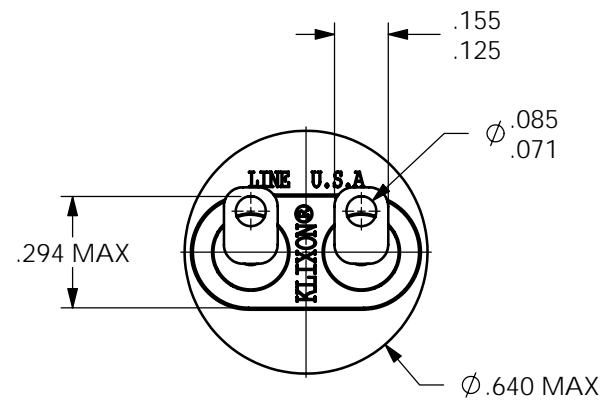
ZONE	REV.	REVISION DESCRIPTION	ECN NO.	DATE
	C	REDRAWN IN SOLIDWORKS & ADDED CONFIGURATION; GML	ECN0030552	4-AUG-2006



CONFIGURATION 1

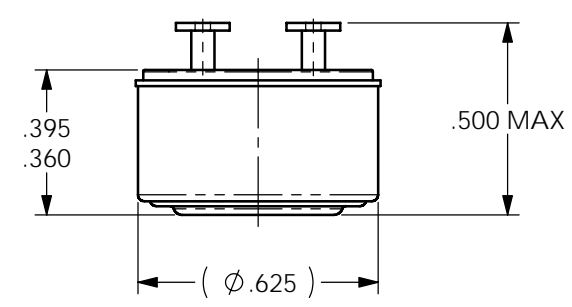
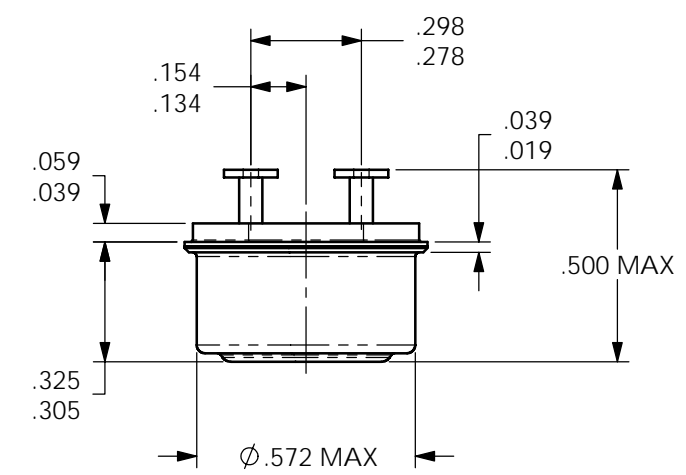


CONFIGURATION 2



MATERIAL:
 CONFIGURATION 1: COPPER-NICKEL PLATED CARBON STEEL
 CONFIGURATION 2: UNPLATED 304 STAINLESS STEEL

DIELECTRIC STRENGTH:
 TERMINAL TO CASE, 125VAC FOR 1 MINUTE



FOR REFERENCE ONLY, CHECK LATEST REVISION BEFORE USE. PARTS MADE TO THIS PRINT MUST CONFORM TO E9898 REV. E		 529 PLEASANT STREET P.O. BOX 2964 ATTLEBORO, MA 02703	
DRAWN CHAS. FLEURANT DATE 23-OCT-1995	NEITHER THIS PRINT NOR THE INFORMATION CONTAINED HEREON IS TO BE USED AGAINST THE INTERESTS OF SENSATA TECHNOLOGIES OR AGAINST THE INTERESTS OF ANY OF ITS AFFILIATED COMPANIES OR WHOLLY OWNED SUBSIDIARIES	TITLE 4344-32 THERMOSTAT SPST AUTO. RESET SEALED ENVELOPE DRAWING	
ENGINEER S.B. MARQUIS DATE 23-OCT-1995		DWG NO. 4344-32	
APPROVED	UNLESS OTHERWISE SPECIFIED DIMENSIONS ARE IN INCHES TOLERANCES DECIMALS ANGLES	REV. C	
DATE		THIRD ANGLE PROJECTION	SIZE B
APPROVED	DO NOT SCALE DRAWING	SCALE 2:1	SOLIDWORKS
DATE	DEVICE: 4344	PROJECT: 256A	SHEET 1 OF 1

4

3

2

1