

4

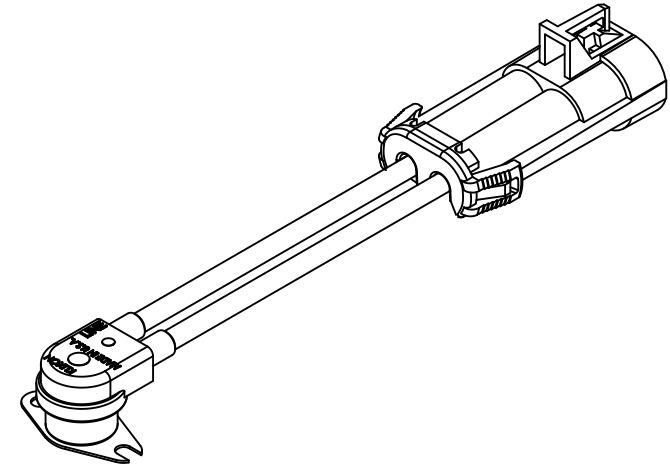
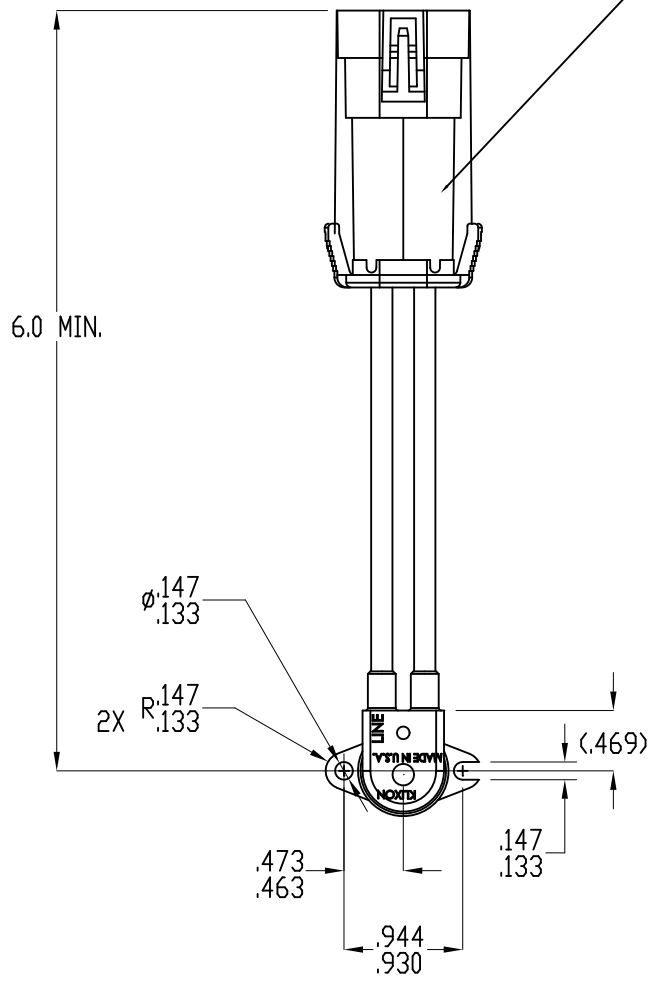
3

2

1

ZONE	REV.	REVISION DESCRIPTION	ECN NO.	DATE
	A	INITIAL RELEASE FOR PRODUCTION; PD	ECO-052291	26-FEB-2010

CONNECTOR,  
 DELPHI METRI-PACK 480 SERIES SEALED  
 2 CAVITY CONNECTOR HOUSING 12065863  
 TPA SECONDARY LOCK 12059897  
 2X CABLE SEAL, ORANGE 12034170  
 2X TERMINAL, MALE PIN 12065196



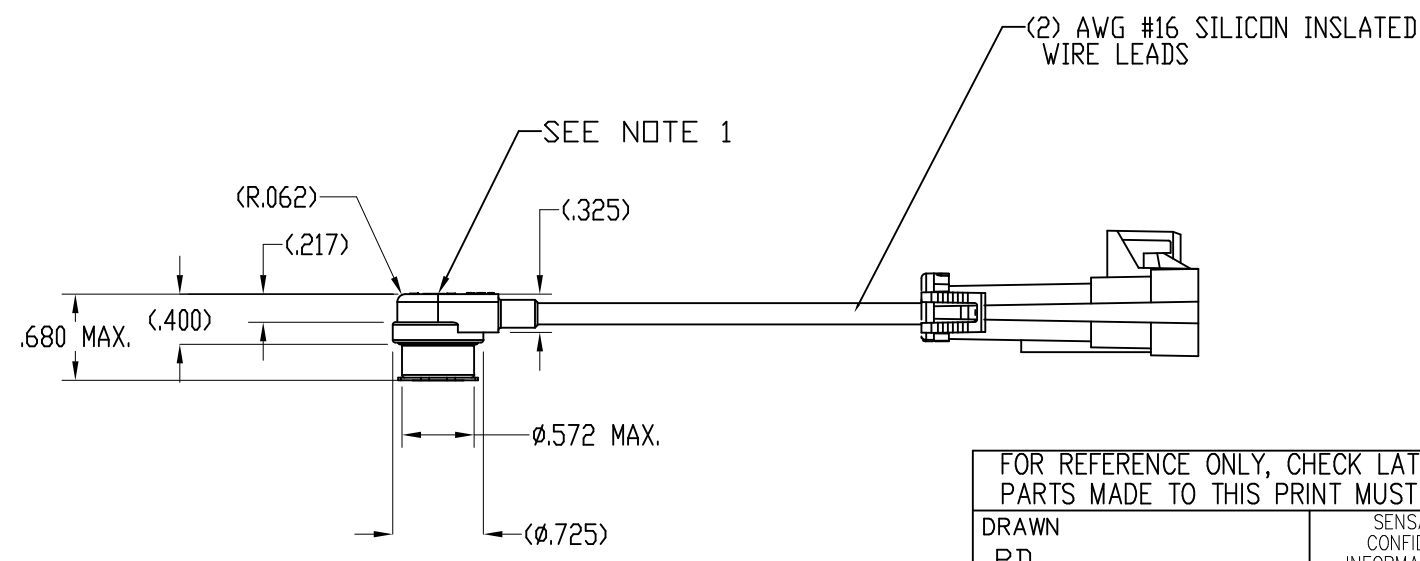
OPERATING TEMPERATURE:  
 OPEN: .....160 °F +/- 8 °F  
 CLOSE:.....140 °F +/- 8 °F

FINISH: ..... COPPER NICKEL PLATE

AMBIENT TEMPERATURE EXPOSURE RANGE ..... -40°C to 125°C

DIELECTRIC STRENGTH (TERMINAL TO SWITCH CASE) .....1250 VAC FOR 1 MINUTE

- NOTES:
1. AWG 16 SILICONE RUBBER INSULATED WIRE
  2. OVERMOLD ON THERMOSTAT ONLY IS DOW CORNING #152 REDDISH BROWN SILASTIC RUBBER OR EQUAL



FOR REFERENCE ONLY, CHECK LATEST REVISION BEFORE USE. PARTS MADE TO THIS PRINT MUST CONFORM TO E9898 REV. E	
DRAWN PD DATE 26-FEB-2010 ENGINEER S.MARQUIS DATE 26-FEB-2010 APPROVED A.NAULT DATE 26-FEB-2010 APPROVED W.BENTLEY DATE 26-FEB-2010	SENSATA TECHNOLOGIES PROPRIETARY AND CONFIDENTIAL. NEITHER THIS PRINT NOR THE INFORMATION CONTAINED HEREON IS TO BE USED AGAINST THE INTERESTS OF SENSATA TECHNOLOGIES OR AGAINST THE INTERESTS OF ANY OF ITS AFFILIATED COMPANIES OR WHOLLY OWNED SUBSIDIARIES. INTERPRET DIMENSIONING AND TOLERANCING PER ASME Y14.5-2009. UNLESS OTHERWISE SPECIFIED DIMENSIONS ARE IN INCHES. TOLERANCES DECIMALS ANGLES DO NOT SCALE DRAWING THIRD ANGLE PROJECTION

529 PLEASANT STREET  
 P.O. BOX 2964  
 ATTLEBORO, MA 02703

**Sensata Technologies**

TITLE  
 4344-364-2  
 THERMOSTAT AUTO RESET SEALED ENVELOPE DRAWING

SIZE	DWG NO.	REV.
B	4344-364-2	A

SCALE 1:1 AUTOCAD SHEET 1 OF 1

4

3

2

1

DEVICE: PROJECT: 1