

4

3

2

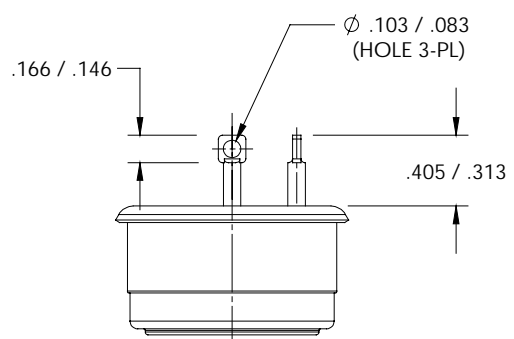
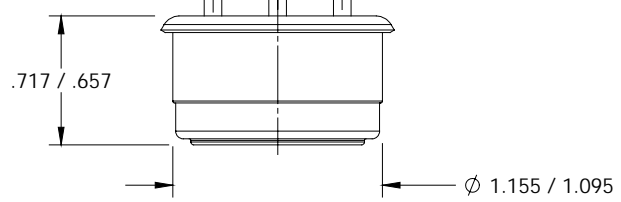
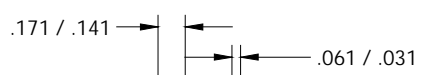
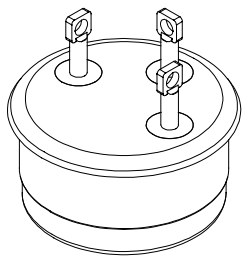
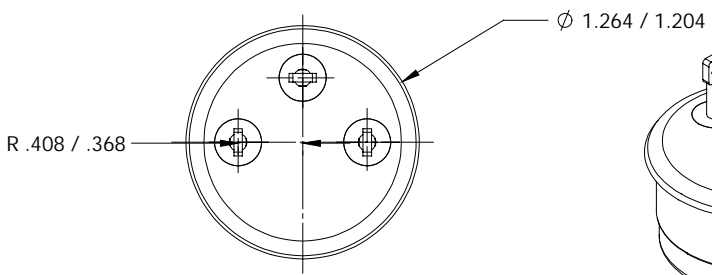
1

REVISIONS

ZONE	LTR	DESCRIPTION	DATE	APPROVED

NOTES:

- 1) SWITCH LOGIC: SINGLE POLE DOUBLE THROW



UNLESS OTHERWISE SPECIFIED DIMENSIONS ARE IN INCHES				DRAWN: S. MARQUIS		DATE: 3/25/02		<b>TEXAS INSTRUMENTS</b> ATILEBORO MA 02705					
TOLERANCES ON FRACTIONS DECIMALS ANGLES				ENGINEER:		APPROVED:		TITLE: THERMOSTAT SWITCH ENVELOPE DRAWING					
MATERIAL:				APPROVED:		APPROVED:		SIZE: B		CODE IDENT NO.: 82647			
NEITHER THIS PRINT NOR THE INFORMATION CONTAINED THEREON IS TO BE USED AGAINST THE INTEREST OF TEXAS INSTRUMENTS, INC. OR AGAINST THE INTERESTS OF ANY OF ITS AFFILIATED COMPANIES OR WHOLLY OWNED SUBSIDIARIES.				FOR REFERENCE ONLY CONSULT TEXAS INSTRUMENTS CUSTOMER SERVICE FOR LATEST REVISION BEFORE USE				SIGNATURES ON FILE. REFER TO ELECTRONIC CHANGE NOTICE.		SCALE:		SHEET:	

4

3

2

1

NEITHER THIS PRINT NOR THE INFORMATION CONTAINED THEREON IS TO BE USED AGAINST THE INTEREST OF TEXAS INSTRUMENTS, INC. OR AGAINST THE INTERESTS OF ANY OF ITS AFFILIATED COMPANIES OR WHOLLY OWNED SUBSIDIARIES.

FOR REFERENCE ONLY CONSULT TEXAS INSTRUMENTS CUSTOMER SERVICE FOR LATEST REVISION BEFORE USE

SIZE B

CODE IDENT NO. 82647

4391-6 STYLE

SCALE

SHEET