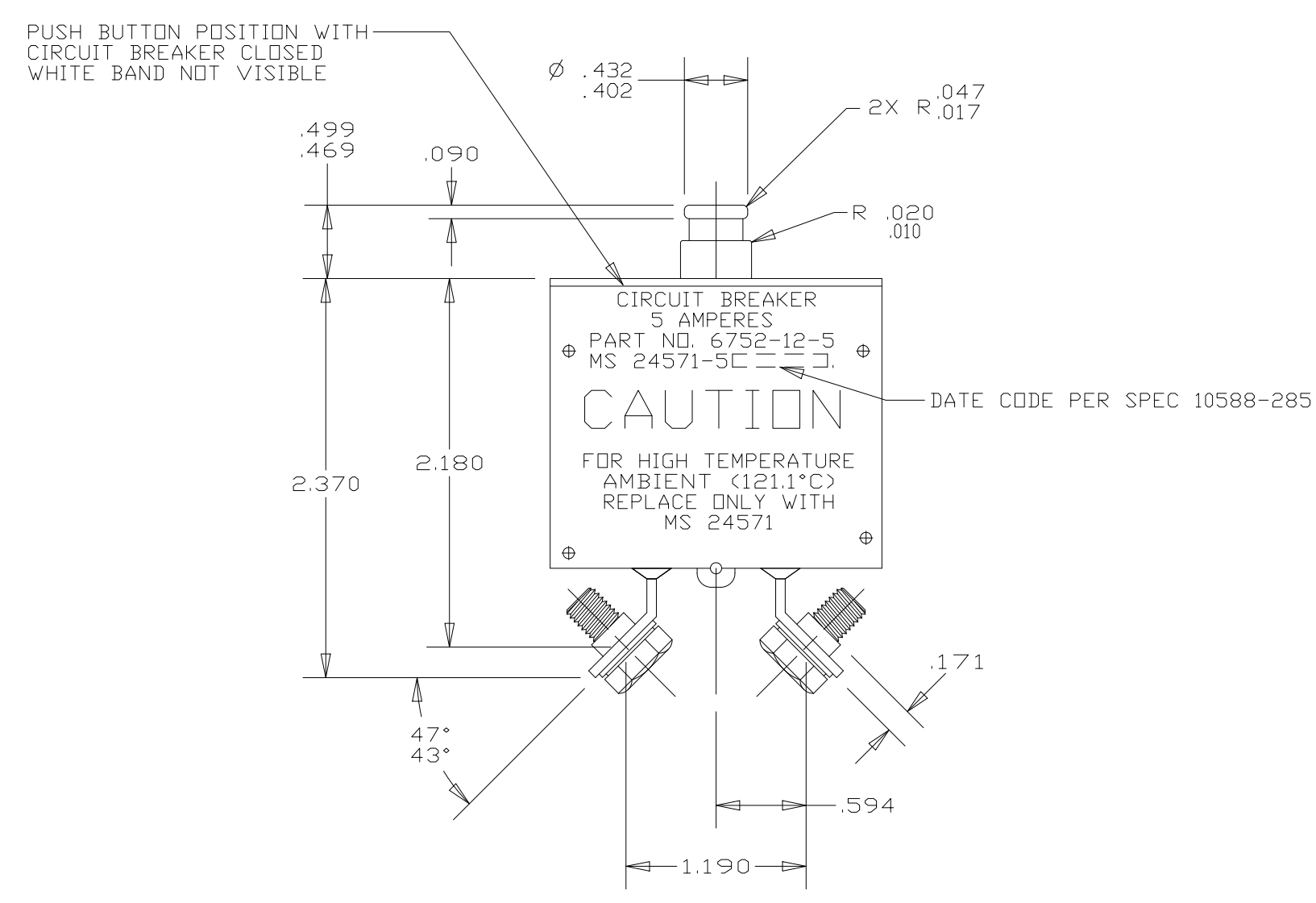
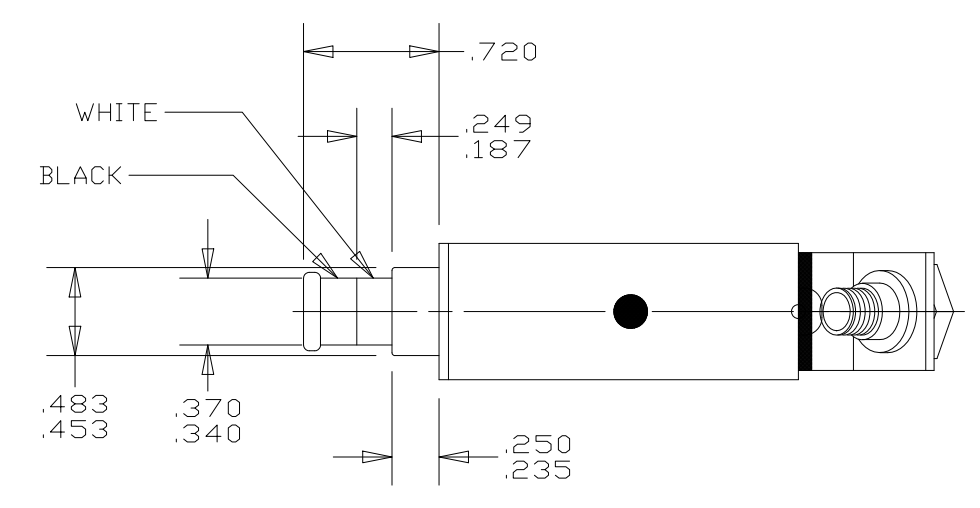
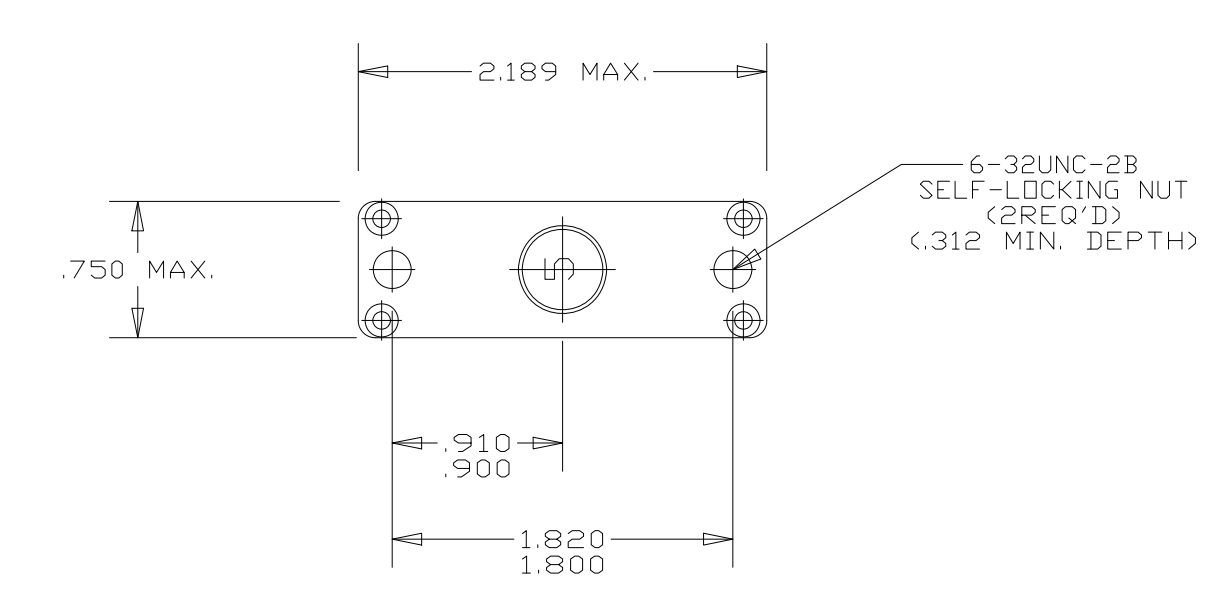
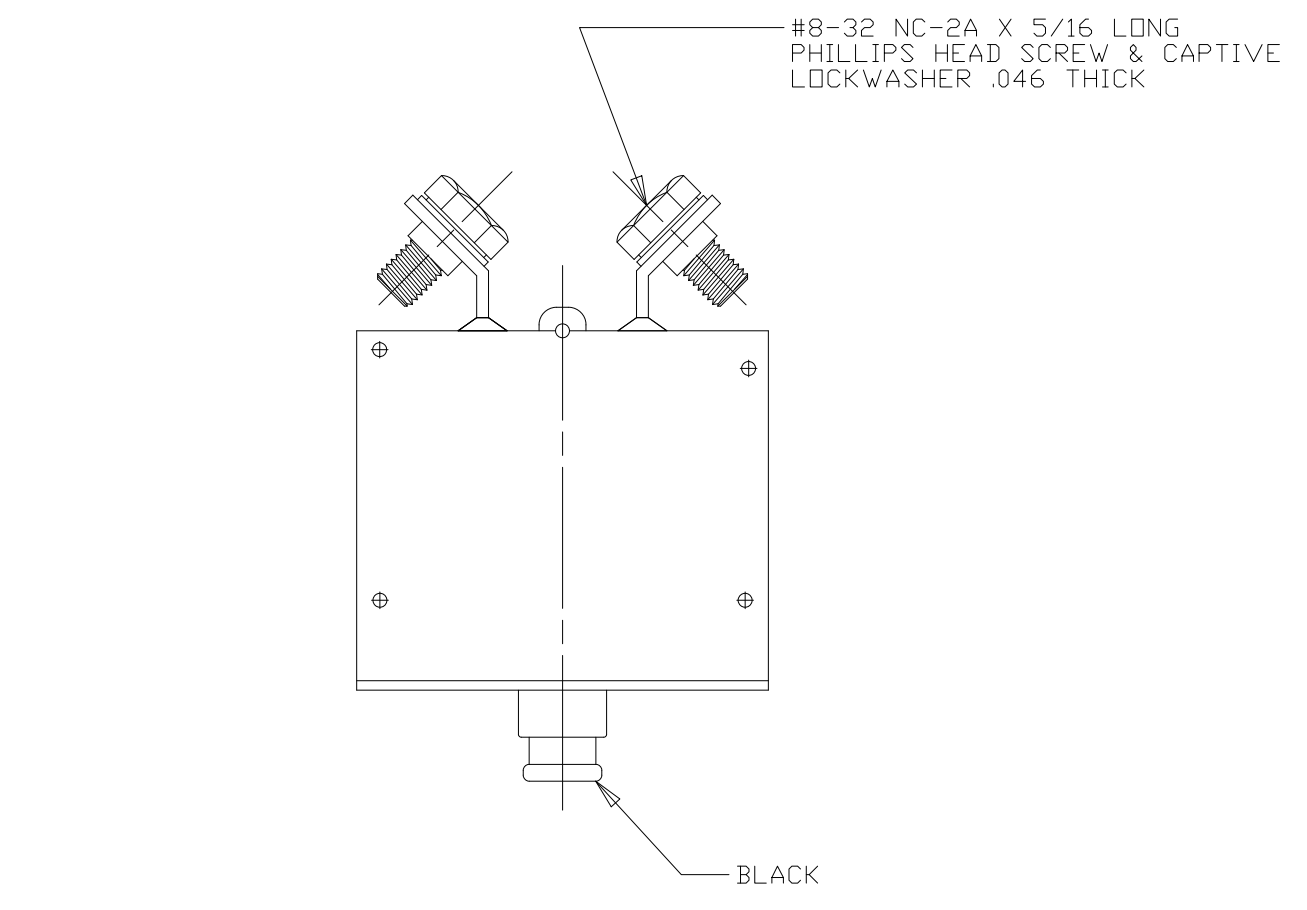


Property of
Sensata Technologies

ZONE	REV.	REVISION DESCRIPTION	ECN NO.	DATE
T		ADDED 6752-12-40 TO TABLE; RW	ECD-069883	18-OCT-2011



PART NO. 6752-12-5 SHOWN

PERFORMANCE CHARACTERISTICS
TESTED TO AND MEETS REQUIREMENTS OF MIL-C-27715 (USAF)

- CALIBRATION**
AMBIENT TEMPERATURE: -54°C, 25°C, 93.3°C, 121.1°C
MIN. ULT TRIP: 110%, 110%, 105%, 100%
MAX. ULT TRIP: 160%, 138%, 138%, 138%
200%: 400%
400%: 1000%
1000%: 3000%
SEE TABLE BELOW VALUES FOR -54°C TO 93.3°C
- RUPTURE**
120 VAC: 400 CYCLE, 6,000 AMPS
205 VAC: 400 CYCLE, 4,200 AMPS
30 VDC: 400 CYCLE, 6,000 AMPS
- DURABILITY**
120 VAC MECHANICAL: 400 CYCLE (NO LOAD), 10,000 CYCLES
RESISTIVE LOAD: 5,000 CYCLES
INDUCTIVE LOAD: 5,000 CYCLES
TOTAL: 20,000 CYCLES
- VOLTAGE DROP** WHILE CARRYING RATED CURRENT
AMP RATING: 25, 5, 75, ALL OTHERS
MAXIMUM VOLTAGE DROP: 0.6 V, 0.4 V, 0.3 V, 0.25 V
- VIBRATION**
FREQUENCY: 5-10 CPS, 10-23 CPS, 23-74 CPS, 74-300 CPS, 300-600 CPS, 600-700 CPS, 700-1500 CPS
G LEVEL: 0.2 DOUBLE AMPLITUDE, 1 G, 0.036 DOUBLE AMPLITUDE, 10 G, 15 G, 14 G, 10 G
- COORDINATION**
BETWEEN RATINGS: 25-5, 5-10, 75-15, 10-20, 15-35
- OPERATING FORCE**
OPENING: 15-30 LBS.
CLOSING: 40-12 LBS.
- DIELECTRIC STRENGTH**: 1500 VAC, RMS.
- INSULATION RESISTANCE**: 100 MEGOHMS AT 500 VDC.
- EXPLOSION PROOF**: WHILE INTERRUPTING RUPTURE CURRENTS.
- HUMIDITY**: 240 HOURS.
- CORROSION RESISTANCE**: 50 HOURS.
- SAND AND DUST**: 12 HOURS.
- MECHANICAL SHOCK**: 25 G FOR 11±1 MILLISECONDS.
- OVERLOAD CYCLING**: 100 CYCLES AT 200% RATED CURRENT.
- FUNGUS RESISTANCE**: 28 DAYS.
- STRENGTH OF TERMINALS**: 25 LB. TENSILE LOAD, 20 IN.-LBS. TORQUE LOAD.
- STRENGTH OF MOUNTING PROVISIONS**: 30 LB. AXIAL LOAD, 10 IN.-LBS. TORQUE LOAD.
- STRENGTH OF ACTUATOR**: 25 LB. AXIAL LOAD, 40 LBS. NORMAL LOAD.
- ACCELERATION**: 10 G'S FOR 1 MINUTE.
- RE-CLOSING**: NO AUTOMATIC RE-CLOSE.
- TRIP FREE**: RESETTABLE ONLY AFTER MOVING THE ACTUATOR TO THE FULL OPEN POSITION.

THIS DRAWING TAKES PRECEDENCE OVER MIL-C-27715 (USAF)

PART NUMBER	MS PART NUMBER	AMP RATING		TRIPPING TIME FROM -53.9°C TO 93.3°C (TIME IN SECONDS)							
				200 %		400 %		1000 %		3000 %	
				MIN	MAX	MIN	MAX	MIN	MAX	MIN	MAX
6752-12-2 1/2	MS24571-2	-2 1/2	-2V	12	32	2.3	6.5	.32	1.1	.04	.155
6752-12-5	MS24571-5	-5	-5V	14	36	2.5	6.5	.45	1.1	.06	.13
6752-12-7 1/2	MS24571-7	-7 1/2	-7V	16	40	2.5	7.0	.34	1.1	.04	.12
6752-12-10	MS24571-10	-10	-10V	18	42	2.7	7.75	.45	1.2	.05	.125
6752-12-15	MS24571-15	-15	-15V	20	45	2.7	8.0	.36	1.2	.04	.13
6752-12-20	MS24571-20	-20	-20V	20	48	2.7	8.0	.36	1.2	.04	.12
6752-12-25	MS24571-25	-25	-25V	20	50	2.7	9.5	.36	1.2	.04	.12
6752-12-35	MS24571-35	-35	-35V	20	53	2.7	8.0	.36	1.2	.04	.12
6752-12-40	MS24571-40	-40	-40V	20	53	2.7	8.0	.36	1.2	.04	.12
6752-12-50	MS24571-50	-50	-50V	20	55	2.7	10.0	.36	1.4		

FOR REFERENCE ONLY, CHECK LATEST REVISION BEFORE USE. PARTS MADE TO THIS PRINT MUST CONFORM TO E9898 REV. E.

DRAWN: J. HORAN
DATE: 19-FEB-1963
ENGINEER: A. GENEST
DATE: 19-FEB-1963
APPROVED: D. POTTS
DATE: 19-FEB-1963
APPROVED: D. POTTS
DATE: 19-FEB-1963

SENSATA TECHNOLOGIES PROPRIETARY AND CONFIDENTIAL. NEITHER THIS PRINT NOR THE INFORMATION CONTAINED HEREIN IS TO BE USED OR AGAINST THE INTERESTS OF SENSATA TECHNOLOGIES OR AGAINST THE INTERESTS OF ANY OF ITS AFFILIATE COMPANIES OR WHOLLY OWNED SUBSIDIARIES.

INTERPRET DIMENSIONING AND TOLERANCING PER ASME Y14.5-2009. UNLESS OTHERWISE SPECIFIED DIMENSIONS ARE IN INCHES. TOLERANCES: DECIMALS: X.XXX ±0.030 ANGLES: °

TITLE: 6752-12 TYPE PUSH PULL CIRCUIT BREAKER ENVELOPE DRAWING

SIZE: D
SCALE: 4:1
AUTOCAD: YES
SHEET: 1 OF 1

PROJECT: 755