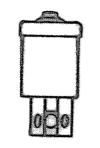


Property of
Sensata Technologies



ACTUAL SIZE

CHARACTERISTICS:

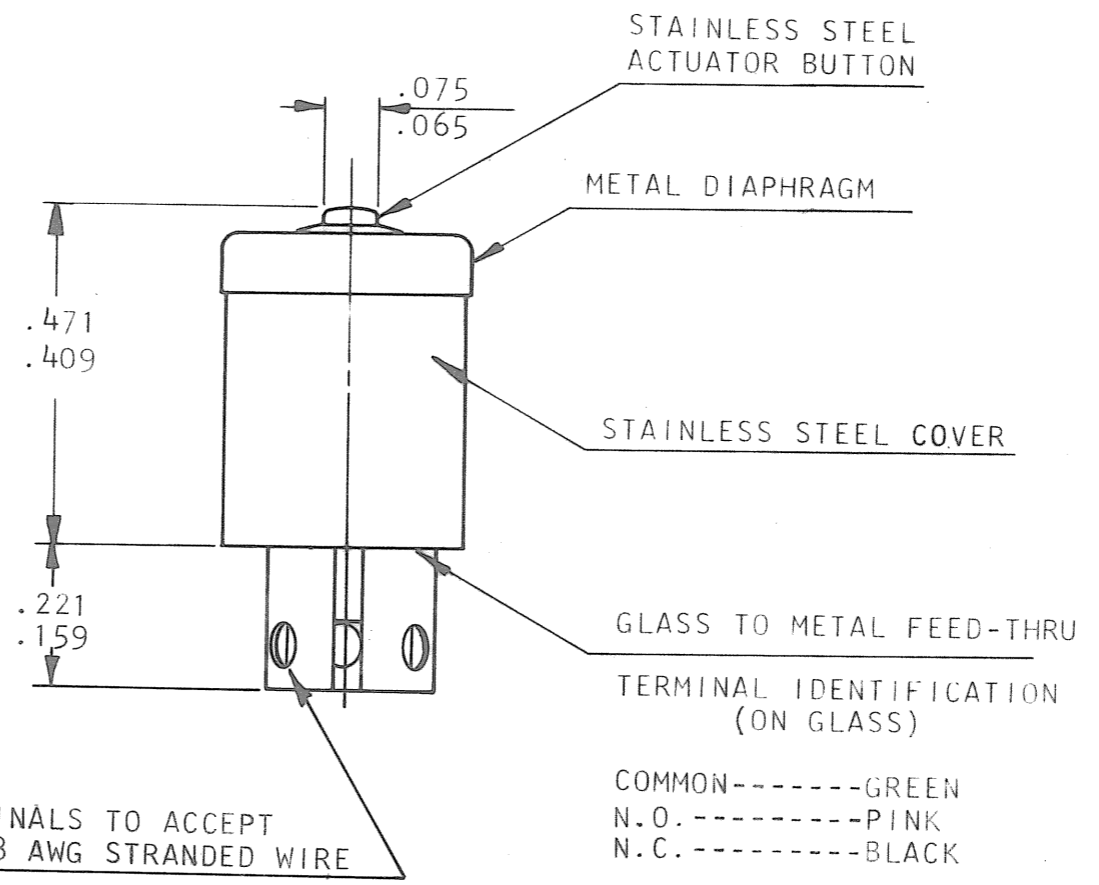
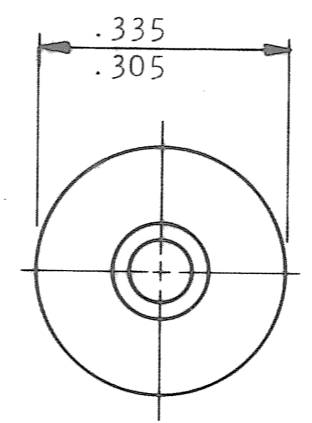
CONTACT ARRANGEMENT ----- S.P.D.T.
 ACTUATION FORCE ----- 30 OZ. MAX. AT S.T.P.
 RELEASE FORCE ----- 4 OZ. MIN. AT S.T.P.
 PRETRAVEL ----- .008 MAX.
 MOVEMENT DIFFERENTIAL ----- .005 MAX.
 OVERTRAVEL ----- .003 MIN.
 LIFE AT RATED LOAD ----- 25,000 CYCLES
 AMBIENT TEMPERATURE RANGE ----- -85°F TO +275°F
 DIELECTRIC STRENGTH ACROSS:
 OPEN TERMINALS ----- 800 VRMS
 TERMINALS TO CASE ----- 1000 VRMS
 VOLTAGE DROP AT 1 AMP ----- .040
 SEAL ----- CLASS "5" HERMETIC
 PER MIL-S-8805
 MAX. ALLOWED LEAKAGE ----- 1 X 10⁻⁸ STD. CC HE/SEC.
 BACKFILL ----- DRY NITROGEN (10% He
 TRACER GAS)
 FORCE ALLOWED ON TOP
 OF ACTUATOR ----- 5 LBS.

CURRENT CAPACITY

SEA LEVEL AND 70,000 FT. ALTITUDE		
LOAD	28 VOLTS DC	
RESISTIVE	4 AMP	
INDUCTIVE	1 AMP	
LAMP	2 AMP	

SHOCK RESISTANCE
 (WITHOUT CONTACT CHATTER) - 200 G'S
 VIBRATION RESISTANCE (10-3000HZ.)
 (WITHOUT CONTACT CHATTER) - 65 G'S
 WEIGHT ----- .042 OZ.
 MILITARY EQUIVALENT PART NUMBER UNDER MIL-S-8805

T. I. PART NO.	MILITARY PART NO.
10AT117-01	M8805/68-022



REVISIONS				
ZONE	LTR	DESCRIPTION	DATE	APPROVED
-	A	1ST ISSUE	5/13/88	PM
-	B	RESISTIVE WAS 7AMP MIL P/W WAS M8805/68-008 CRM25154 RJM	1-17-96	JF

UNLESS OTHERWISE SPECIFIED DIMENSIONS ARE IN INCHES		BY D. McINERNEY	DATE 5/13/88	G16+G13-1 P18-1 P11 P11 P3-1	
TOLERANCE ON FRACTIONS DECIMALS ANGLES		CH.		METALS & CONTROLS INC. ATTLEBORO, MASSACHUSETTS, U.S.A. A CORPORATE DIVISION OF TEXAS INSTRUMENTS INCORPORATED	
MATERIAL		ENG. P. Meloney	DATE 5-20-88	KILIXON CONTROL PRODUCTS GROUP	
APPROVED		HERMETICALLY SEALED SUB-MINIATURE PRECISION SWITCH ENVELOPE DRAWING			
SIZE B	CODE IDENT NO. 82647	10AT117-01			
SCALE 4-1	SHEET 1-1		FORMERLY WAS 10AT117-1 DTD 1-15-86 REV G		