

CHARACTERISTICS

CONTACT ARRANGEMENT	DPST OR DPDT
ACTUATION FORCE	10 LBS. MAX.
RELEASE FORCE	1 LB. MIN.
PRETRAVEL	.020-.030
MOVEMENT DIFFERENTIAL	.020 MAX.
OVERTRAVEL	.200 MIN.
LIFE AT RATED LOAD	25,000 CYCLES
AMBIENT TEMPERATURE RANGE	-85°F TO +275°F
DIELECTRIC STRENGTH ACROSS:	
OPEN TERMINALS	800 VRMS (A3)
TERMINALS TO CASE	1000 VRMS
VOLTAGE DROP AT 1 AMP	.040 PLUS .021 PER FOOT OF LEAD
SEAL	CLASS 5 (HERMETIC) PER MIL-S-8805
MAX. ALLOWED LEAKAGE	1X10 ⁻⁸ STD CC HE/SEC.
BACKFILL	DRY NITROGEN
MAX. FORCE ALLOWED ON TOP OF ACTUATOR	30 LBS.

SEA LEVEL AND 70,000 FT. ALTITUDE

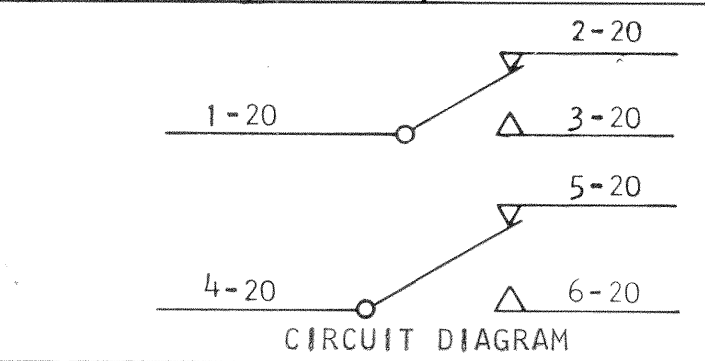
LOAD	28 VOLTS D.C.
RESISTIVE	4 AMPS
INDUCTIVE	1 AMPS
LAMP	2 AMPS

SHOCK RESISTANCE

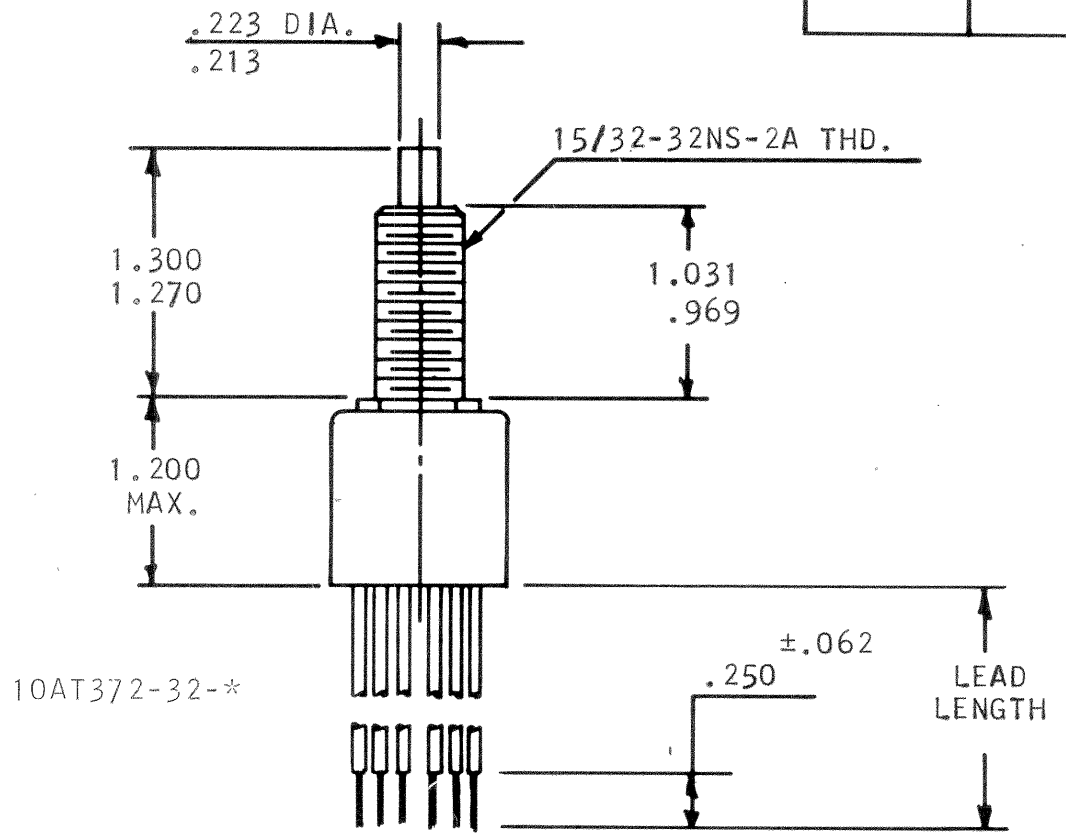
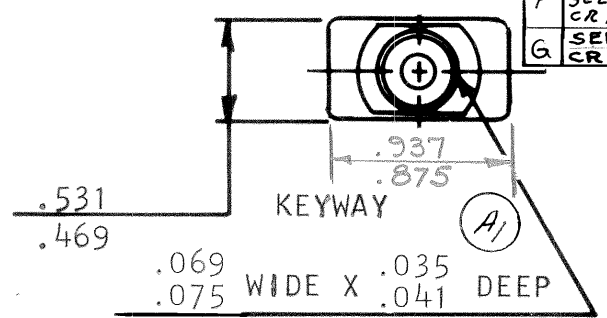
WITHOUT CONTACT CHATTER	200 G'S (A2)
VIBRATION RESISTANCE (55-3000 HZ) WITHOUT CONTACT CHATTER	65 G'S
WEIGHT (INCLUDING HARDWARE)	1.6 OZ PLUS .10 OZ PER LEAD PER FT. OF WIRE

MOUNTING HARDWARE STANDARD ON ALL SWITCHES

ITEM	REQ'D	DESCRIPTION
HEX NUT	(2)	SAMP ^a AS MS21340-09 EXCEPT MATERIAL IS 303 ST. STEEL AND HAS 3 LOCKWIRE HOLES (F1)
INTERNAL LOCKWASHER	(1)	MS35333-121 (F2)
KEYWASHER	(1)	MS25081-C4



H RESISTIVE WAS 7AMPS, MIL PIN WAS M8805/70-025-027 CRM25154 RUM 1-17-96 JF

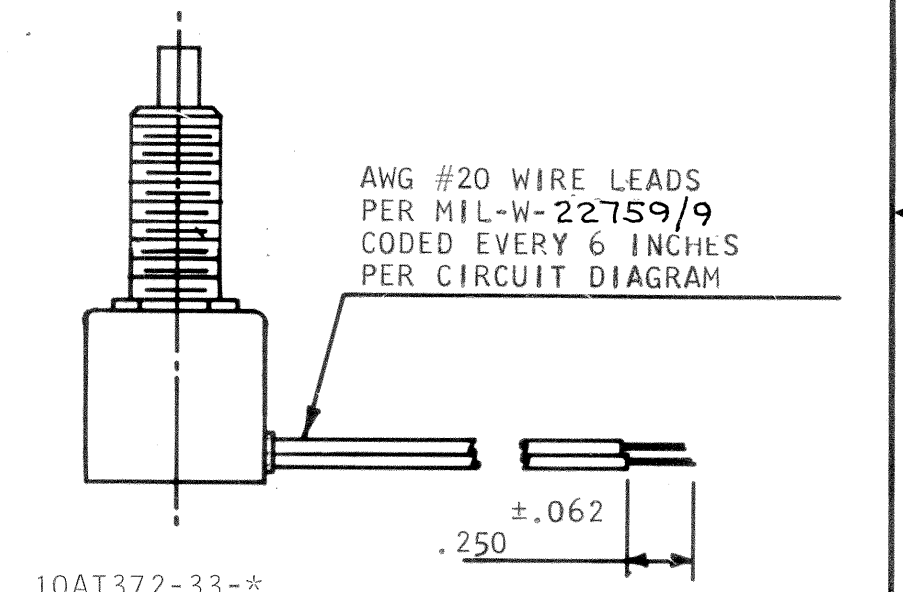


REVISIONS

ZONE	LTR	DESCRIPTION	DATE	APPROVED
-	-	1ST ISSUE CR 48294 JP	11-8-72	E.W.
-	A3	1-WAS .031/.037, 2-WAS 55-2000 HZ, 3-DELETED "5 SEC." FROM DIELECT. STRENGTH. CR 51714 LS	7-3-73	E.W.
-	B	ADDED MIL. PART NO'S CR32027 LS	1-17-74	A.J.

EXAMPLE: 10AT372-32-1

10AT	372	-3	-2	-1
BASIC SWITCH	CONFIGURATION	3=D.P.D.T. 4=D.P.S.T.-NC 5=D.P.S.T.-NO 6=DPST-NC/NO	2=LEADS PARALLEL TO AXIS OF SWITCH 3=LEADS AT RIGHT ANGLE TO AXIS OF SWITCH	1= 6" 2=12" 3=18" 4=24" 5=30" 6=36" 7=42" 8=48" 9=60" 10=72"



*SEE LEAD LENGTH TABLE

MILITARY EQUIVALENT PART NUMBERS UNDER MIL-S-8805

T.I. PART NO.	MILITARY PART NO.
10AT372-32-10	M8805/70-033
10AT372-33-10	M8805/70-035

UNLESS OTHERWISE SPECIFIED DIMENSIONS ARE IN INCHES	BY J. PRESNOL	DATE 11-8-72	Q13-1 P181	P3
TOLERANCE ON FRACTIONS DECIMALS ANGLES	CH.			
ENG. E. Whipple	DATE 12-8-72	TITLE 10AT372 PLUNGER SWITCH ENVELOPE DRAWING		
APPROVED E. Whipple	DATE 12-8-72	SIZE B	CODE IDENT NO. 82647	10AT372
SCALE		SHEET		